



**WORKING  
BEYOND  
LIMITS**





## POWERBULLY 12C

 **Payload**  
13,200 kg | 29,100 lbs

 **Ground pressure**  
0.22 kg/cm<sup>2</sup> | 3.12 psi

 **Fording depth**  
1,300 mm | 51,2"

 **Tare weight**  
13,140 kg | 28,900 lbs

 **Max. speed**  
14.5 km/h | 9.0 mph

 **Gradeability**  
60 % uphill & downhill, 40 % sidehill

### ENGINE & POWER

Type	Cummins B6.7 Turbo Diesel
No. of cylinders	6
Displacement	6.7 l / 6,700 ccm
Power Output @ 2,000 rpm	209kW / 285 hp
Max. torque @ 1,500 rpm	1,288 Nm   950 ft lb
Emission standard	EU Stage V   Tier 4f
Hydrostatic Bosch Rexroth drive train	

### TANK VOLUMES

Diesel	250 l   66 gal
AdBlue	38 l   10 gal
Hydraulic oil	52 l   14 gal

### CABIN

Wide or narrow cab	10.4" Touch display	Sun blind
Suspended cab	Armrest with controls	
ROPS / FOPS (Level I and II) certified	Heating, temperature and fan control	<b>Illumination</b>
2 axis inclination sensor	12V power outlet	6 LED working lights front and rear (6,000 lm)
Adjustable operator's seat	USB charging port	
Single-hand joystick operation	Mobile phone tray	

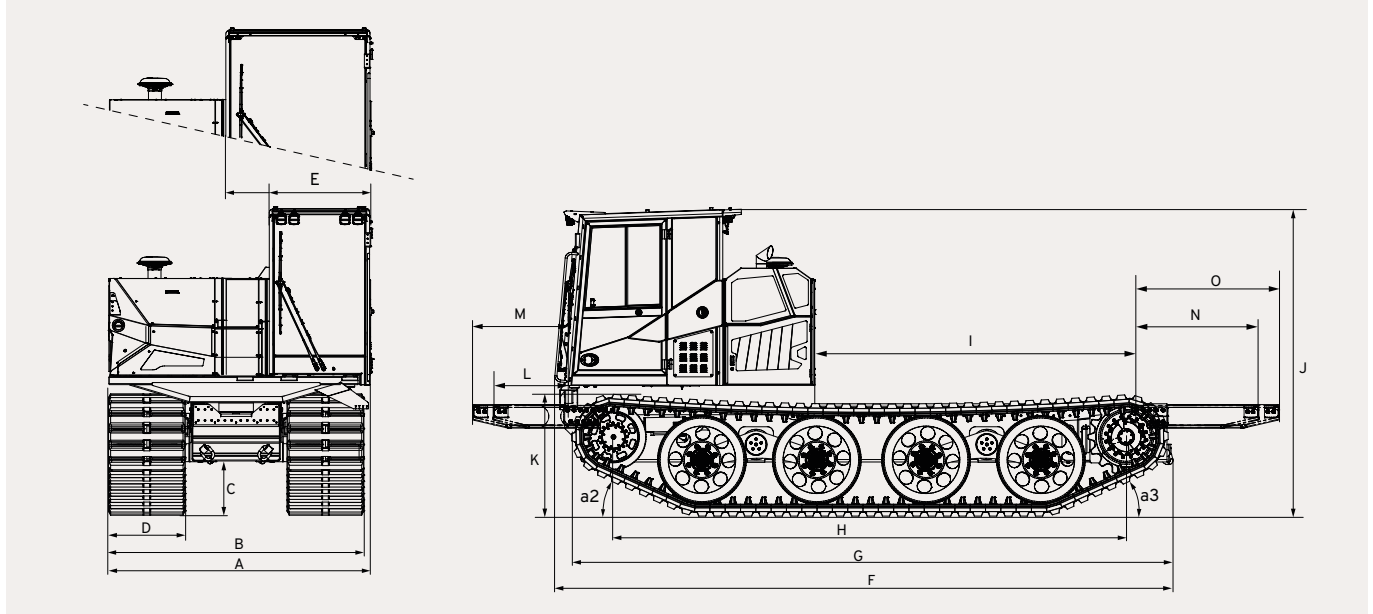
### OPTIONS

Safety	Comfort	Cold start	Other
Premium LED working lights (10,000 lm)	Wide cab	Auxiliary heating	Telematics
Beacon light	Air suspended operator's seat	Supply pressure reduction	Reversible fan
Auxiliary lights (High and low beam, rear light, indicators)	Air conditioning	Engine block heater	Frame extension 700 - 1,100 mm   27.5"-43"
Rear view camera	Adjustable steering wheel	Tank heaters to preheat hydraulic oil	
360° camera	Heated, electrically adjustable mirrors	Heated fuel filter	
Foldable front brush guard	Radio with Bluetooth and a hands-free kit		
FOPS level II protective grid			
Hydraulic winch (Tractive force: 11 t   22,250 lbs)			

**PowerBully**  
TRACK CARRIER

# POWERBULLY 12C

## DIMENSIONS



**A** 2,590 mm | 102"

**B** 2,500 mm | 98"

**C** 532 mm | 21"

**D** 750 mm | 29.5"

**E** 982 mm | 38.7"

Option: Wide cabin **E** 1,412 mm | 55.6"

**F** 6,036 mm | 237.6"

**G** 5,840 mm | 230"

**H** 5,021 mm | 198"

**I** 3,450 mm | 135.8"

**J** 3,005 mm | 118"

**K** 1,300 mm | 51.2"

**L** 700 mm | 27.6"

**M** 900 mm | 35.4"

**N** 900 mm | 35.4"

**O** 1,100 mm | 43.3"

**a2** 24° **a3** 26°

## INTERFACES

### PTO for attachments

Power 149 kW (600 Nm)

Rotation speed 828 - 2,367 U/min

Transmission 1:0.845

### Mechanical

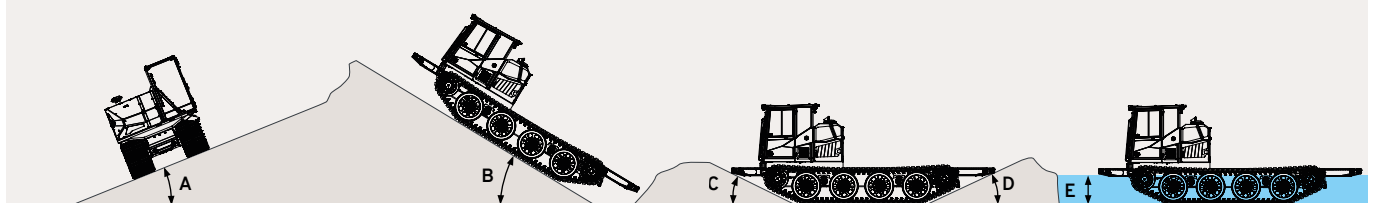
Frame type C-shaped profile

Frame width 864 mm | 34"

### Electrical

Attachment voltage 12 V or 24 V

## OFF-ROAD ABILITIES



**A** Sidehill

40% | 22°

**B** Uphill | Downhill

60% | 31°

**C** Approach angle

24° (28°)

**D** Departure angle

23° (26°)

**E** Fording depth

1,300 mm | 51.2"



Learn more about PowerBully:  
[powerbully.com](http://powerbully.com)  
[sales@powerbully.com](mailto:sales@powerbully.com)

**PowerBully**  
TRACK CARRIER