

WORKING BEYOND LIMITS



POWERBULLY 9D

Payload
7,500 kg | 16,500 lbs

Ground pressure
0.22 kg/cm² | 3.12 psi

Fording depth
1,200 mm | 47.2"

Capacity heaped (ISO 6483)
5.0 m³ | 6.5 yd³

Tare weight
12,450 kg | 27,400 lbs

Gradeability
60 % uphill & downhill, 40 % sidehill

Max. speed
14.5 km/h | 9.0 mph

ENGINE & POWER

Type	Cummins B6.7 Turbo Diesel
No. of cylinders	6
Displacement	6.7 l / 6,700 ccm
Power Output @ 2,000 rpm	173 kW / 235 hp
Max. torque @ 1,500 rpm	949 Nm 700 ft lb
Emission standard	EU Stage V Tier 4f
Drive train:	Hydrostatic Bosch Rexroth drive train

TANK VOLUMES

Diesel	250 l 66 gal
AdBlue	38 l 10 gal
Hydraulic oil	52 l 14 gal

CABIN

Wide or narrow cab	10.4" Touch display	Sun blind
Suspended cab	Armrest with controls	
ROPS / FOPS (Level I and II) certified	Heating, temperature and fan control	Illumination
2 axis inclination sensor	12V power outlet	6 LED working lights front and rear (6,000 lm)
Adjustable operator's seat	USB charging port	
Single-hand joystick operation	Mobile phone tray	

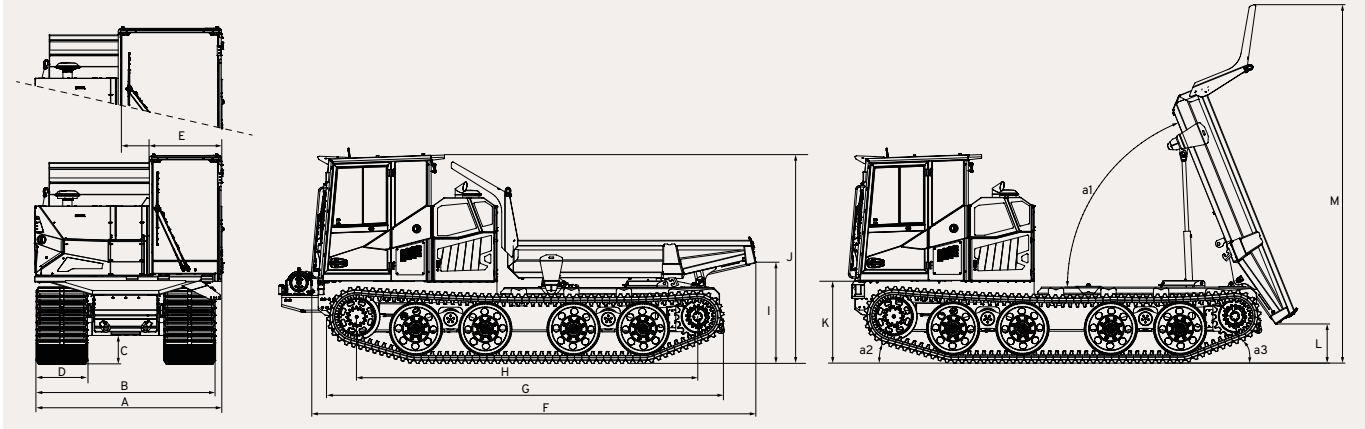
OPTIONS

Safety	Comfort	Cold start	Other
Premium LED working lights (10,000 lm)	Wide cab	Auxiliary heating	Telematics
Beacon light	Air suspended operator's seat	Supply pressure reduction	Reversible fan
Auxiliary lights (High and low beam, rear light, indicators)	Air conditioning	Engine block heater	Frame extension front 500 mm 19.7"
Rear view camera	Adjustable steering wheel	Tank heaters to preheat hydraulic oil	Mechanical tailgate
360° camera	Heated, electrically adjustable mirrors	Heated fuel filter	
Foldable front brush guard	Radio with Bluetooth and a hands-free kit		
FOPS level II protective grid			
Hydraulic winch (Tractive force: 9 t 19,000 lbs)			

PowerBully
TRACK CARRIER

POWERBULLY 9D

DIMENSIONS



A	2,590 mm 102"
B	2,450 mm 96"
C	390 mm 15.4"
D	700 mm 27.5"
E	982 mm 38.7"

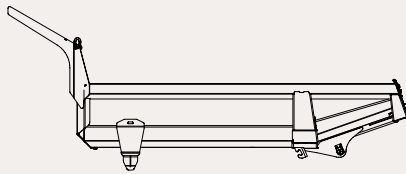
F	6,093 mm 240"
G	5,440 mm 214"
H	4,672 mm 184"
I	1,453 mm 57"
J	2,857 mm 112"

K	1,200 mm 47.2"
L	536 mm 21"
M	4,912 mm 193"
a1	68°
a2	16°
a3	22°

Option: Wide cabin **E** 1,412 mm | 55.6"

Option: Frame extension front 500 mm | 19.7" and winch

HARDOX DUMP BODY / AUTOMATIC LOWERING



Capacity heaped (ISO 6483)	5.0 m ³ 6.5 yd ³
Capacity leveled	3.0 m ³ 4.0 yd ³
Length	3,400 mm 134"
Width	2,444 mm 96"
Side wall height	512 mm 20.1"

OFF-ROAD ABILITIES



A Sidehill	40% 22°
B Uphill Downhill	60% 31°
C Approach angle	45°

D Departure angle	45°
E Forging depth	1,200 mm 47.2"

Approach and departure angles deviating with frame extensions



Learn more about PowerBully:
powerbully.com
sales@powerbully.com

PowerBully
 TRACK CARRIER