

WORKING BEYOND LIMITS



POWERBULLY 9C

 **Payload**
9,000 kg | 19,900 lbs

 **Ground pressure**
0.19 kg/cm² | 2.70 psi

 **Fording depth**
1,200 mm | 47.2"

 **Tare weight**
11,080 kg | 24,400 lbs

 **Max. speed**
14.5 km/h | 9.0 mph

 **Gradeability**
60 % uphill & downhill, 40 % sidehill

ENGINE & POWER

Type	Cummins B6.7 Turbo Diesel
No. of cylinders	6
Displacement	6.7 l / 6,700 ccm
Power Output @ 2,000 rpm	173 kW / 235 hp
Max. torque @ 1,500 rpm	949 Nm 700 ft lb
Emission standard	EU Stage V Tier 4f
Hydrostatic Bosch Rexroth drive train	

TANK VOLUMES

Diesel	250 l 66 gal
AdBlue	38 l 10 gal
Hydraulic oil	52 l 14 gal

CABIN

Wide or narrow cab	10.4" Touch display
Suspended cab	Armrest with controls
ROPS / FOPS (Level I and II) certified	Heating, temperature and fan control
2 axis inclination sensor	12V power outlet
Adjustable operator's seat	USB charging port
Single-hand joystick operation	Mobile phone tray

CHASSIS

Track type	Endless rubber track
Track width	700 mm 27.5"
Frame type	C-shaped profile
Frame width	864 mm 34"
Wheels	8 steel wheels
Walking beam	
Automatic track tensioning	
Ground pressure (empty)	0.19 kg/cm ² 2.70 psi
Ground pressure (loaded)	0.35 kg/cm ² 4.97 psi

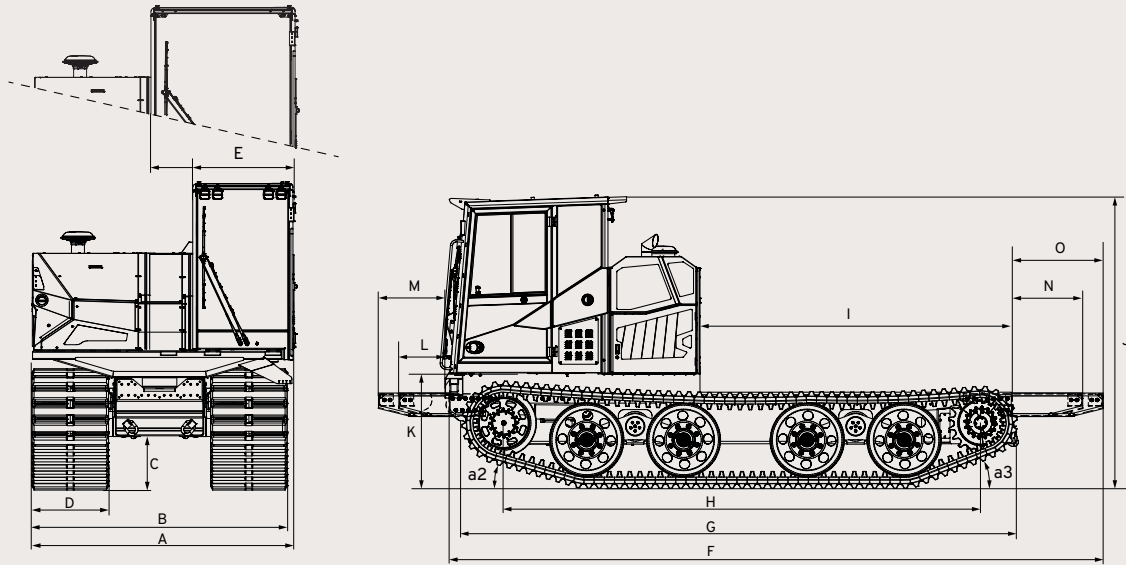
OPTIONS

Safety	Comfort	Cold start	Other
Premium LED working lights (10,000 lm)	Wide cab	Auxiliary heating	Telematics
Beacon light	Air suspended operator's seat	Supply pressure reduction	Reversible fan
Auxiliary lights (High and low beam, rear light, indicators)	Air conditioning	Engine block heater	Frame extension 500 - 700 mm 19"-27.6"
Rear view camera	Adjustable steering wheel	Tank heaters to preheat hydraulic oil	
360° camera	Heated, electrically adjustable mirrors	Heated fuel filter	
Foldable front brush guard	Radio with Bluetooth and a hands-free kit		
FOPS level II protective grid			
Hydraulic winch (Tractive force: 9 t 19,000 lbs)			

PowerBully
TRACK CARRIER

POWERBULLY 9C

DIMENSIONS



A 2,590 mm | 102"

B 2,450 mm | 96"

C 390 mm | 15.4"

D 700 mm | 27.5"

E 982 mm | 38.7"

Optionally: wide cabin E 1,412 mm | 55.6"

F 5,646 mm | 222"

G 5,440 mm | 214"

H 4,672 mm | 184"

I 3,050 mm | 120"

J 2,857 mm | 112"

K 1,200 mm | 47.2"

L 500 mm | 19.7"

M 700 mm | 27.6"

N 700 mm | 27.6"

O 900 mm | 35.4"

a2 16° a3 22°

INTERFACES

PTO for attachments

Power 126 kW (600 Nm)

Rotation speed 828 - 2,376 U/min

Transmission 1:0.845

Mechanical

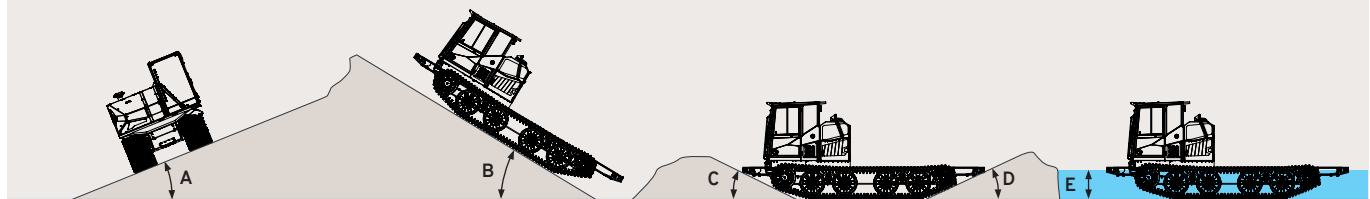
Frame type C-shaped profile

Frame width 864 mm | 34"

Electrical

Attachment voltage 12 V or 24 V

OFF-ROAD ABILITIES



A Sidehill 40% | 22°

B Uphill | Downhill 60% | 31°

C Approach angle with 500 mm | 19.7" frame extensions 31°
with 700 mm | 27.6" frame extensions 26°

D Departure angle with 700 mm | 27.6" frame extensions 29°

with 900 mm | 35.4" frame extensions 24°

E Forging depth 1,200 mm | 47.2"



Learn more about PowerBully:
powerbully.com
sales@powerbully.com

PowerBully
TRACK CARRIER